

THINKING OUT OF THE BOX

On 20-Nov-2021, Saturday, the members of the Math club of classes VI and VII met virtually along with the teachers, Mrs Krithika Ganesh, Mrs Anuradha and Mrs Rakhee.

As the previous sessions were related to Art integrated math activities, this time students were given logical thinking puzzles appropriate to their age. Logical Puzzles teach step-by-step thinking while students work towards a solution. Often, correct answers are found by the process of elimination or by working backward. Even the simple puzzles encourage students to apply logic and reasoning to find out the answers.

Each puzzle was screen shared as a ppt slide. Students were given time to think and find out the answer. After finding out the solution, each student was asked to explain their approach to solving the puzzle. The puzzles were arranged in order of difficulty, from simple ones to challenging ones. For the challenging puzzles which were left unsolved explanation was given by the teachers to make them understand. Students enjoyed the session thoroughly and participated with unhindered enthusiasm throughout.


The activity will be continued during the next club meeting on 27-Nov-2021 too .

Puzzles Aren't Dicey


Roly poly

The dots on opposite faces of a dice add up to 7.

1. Imagine rolling one dice.
The score is the total number of dots you can see.
You score 17.
Which number is face down?
How did you work out your answer?



2. Imagine rolling two dice.
The dice do not touch each other.




The score is the total number of dots you can see.
Which numbers are face down to score 30?

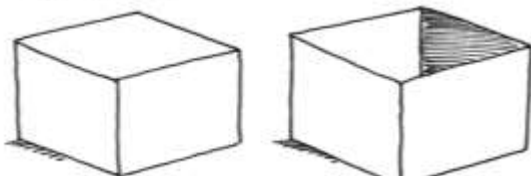
The screenshot also shows a grid of approximately 15 student video feeds on the right side of the screen.

A perfect match

1. A matchbox tray slides into its outer cover.
In how many different ways can you do this?



2. Imagine a cube and an open box just large enough to hold it.
In how many different ways can you fit the cube into the box?



The screenshot also shows a vertical stack of approximately 5 student video feeds on the right side of the screen.

Shutterbugs

Math club

PSBB SRS